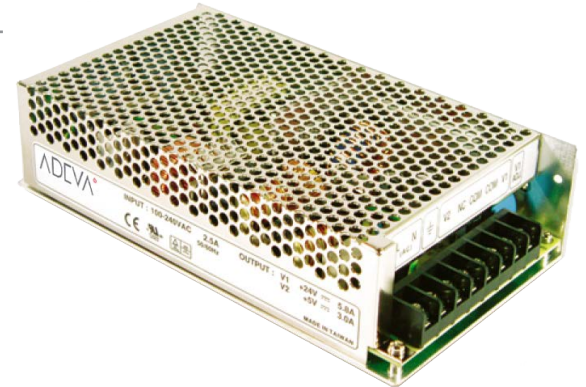


155W Single Output Power Supply With Battery(UPS Function) ADV-55

Overview

- Universal AC input / Full range
- Protections: Short circuit / Overload / Over voltage
- Battery low and battery polarity protection
- Cooling by free air convection
- 100% full load burn-in test
- Fixed switching frequency at PFC 67KHz, PWM 134KHz
- 2 years warranty



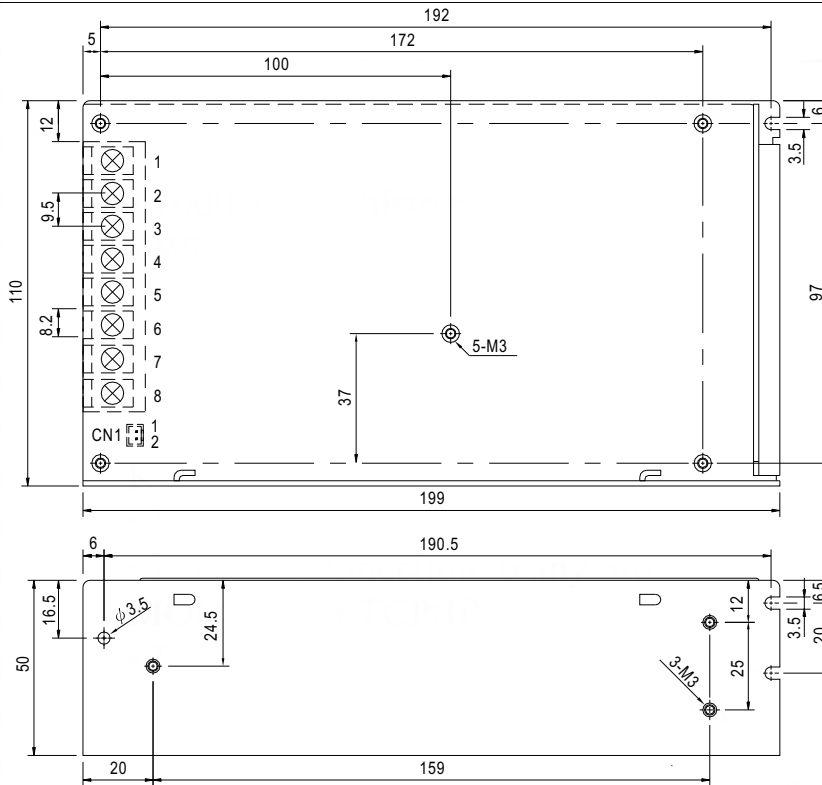
Specifications



| MODEL | ADV-12 | | ADV-24 | | ADV-55 | | |
|-----------------------|------------------------------|--|--------------------------|----------------------------------|----------|------------------|----------|
| OUTPUT | OUTPUT NUMBER | CH1 | CH2 | CH1 | CH2 | CH1 | CH2 |
| | DC VOLTAGE | 13.8V | 13.3V | 27.6V | 27.1V | 54V | 53.5V |
| | RATED CURRENT | 10.5A | 0.5A | 5A | 0.5A | 2.7A | 0.2A |
| | CURRENT RANGE | 0 ~ 11.5A | 0 ~ 0.5A | 0 ~ 5.5A | 0 ~ 0.5A | 0 ~ 2.7A | 0 ~ 0.5A |
| | RATED POWER | 151.55W | | 151.55W | | 156.5W | |
| | RIPPLE & NOISE (max.) Note.2 | 150mVp-p | ----- | 150mVp-p | ----- | 240mVp-p | ----- |
| | VOLTAGE ADJ. RANGE | CH1: 12 ~ 14.5V | | CH1: 24 ~ 29V | | CH1: 48 ~ 58V | |
| | VOLTAGE TOLERANCE Note.3 | ±2.0% | ----- | ±1.0% | ----- | ±1.0% | ----- |
| | LINE REGULATION | ±0.5% | ----- | ±0.5% | ----- | ±0.5% | ----- |
| | LOAD REGULATION | ±0.5% | ----- | ±0.5% | ----- | ±0.5% | ----- |
| | SETUP, RISE TIME | 1000ms, 90ms/230VAC | | 2000ms, 90ms/115VAC at full load | | | |
| HOLD UP TIME (Typ.) | 24ms/230VAC | | 20ms/115VAC at full load | | | | |
| INPUT | VOLTAGE RANGE | 88 ~ 264VAC | | 124 ~ 370VDC | | | |
| | FREQUENCY RANGE | 47 ~ 63Hz | | | | | |
| | POWER FACTOR (Typ.) | PF>0.92 at full load | | | | | |
| | EFFICIENCY (Typ.) | 80% | | 84% | | 84% | |
| | AC CURRENT (Typ.) | 2.5A/115VAC | | 1.5A/230VAC | | | |
| | INRUSH CURRENT (Typ.) | COLD START 20A/115VAC | | 40A/230VAC | | | |
| | LEAKAGE CURRENT | <1mA / 240VAC | | | | | |
| PROTECTION | OVERLOAD | CH1:105 ~ 135% CH2:0.51 ~ 0.9A rated output power Protection type : AC Charging Mode : Constant current limiting, recovers automatically after fault condition is removed UPS Mode : Protected by internal fuse | | | | | |
| | OVER VOLTAGE | CH1:15.87 ~ 18.63V | | CH1:31.74 ~ 37.26V | | CH1:62.1 ~ 72.9V | |
| | BATTERY LOW | 10V±0.8V | | 19.5V(+1.5V,-1V) | | 39V±2V | |
| ENVIRONMENT | WORKING TEMP. | -10 ~ +60°C (Refer to "Derating Curve") | | | | | |
| | WORKING HUMIDITY | 20 ~ 90% RH non-condensing | | | | | |
| | STORAGE TEMP., HUMIDITY | -20 ~ +85°C, 10 ~ 95% RH | | | | | |
| | TEMP. COEFFICIENT | ±0.03%/°C (0 ~ 50°C) | | | | | |
| | VIBRATION | 10 ~ 500Hz, 2G 10min./1cycle, 60min. each along X, Y, Z axes | | | | | |
| SAFETY & EMC (Note 4) | SAFETY STANDARDS | UL60950-1, TUV EN60950-1 approved | | | | | |
| | WITHSTAND VOLTAGE | I/P-O/P:3KVAC I/P-FG:1.5KVAC O/P-FG:0.5KVAC | | | | | |
| | ISOLATION RESISTANCE | I/P-O/P, I/P-FG, O/P-FG:100M Ohms / 500VDC / 25°C / 70% RH | | | | | |
| | EMC EMISSION | Compliance to EN55022 (CISPR22) Class B, EN61000-3-2,-3 | | | | | |
| OTHERS | EMC IMMUNITY | Compliance to EN61000-4-2,3,4,5,6,8,11, EN55024, light industry level. criteria A | | | | | |
| | MTBF | 183.3K hrs min. | | MIL-HDBK-217F (25°C) | | | |
| | DIMENSION | 199*110*50mm (L*W*H) | | | | | |
| NOTE | PACKING | 0.88Kg; 16pcs/15Kg/0.95CUFT | | | | | |
| | | <ol style="list-style-type: none"> 1. All parameters NOT specially mentioned are measured at 230VAC input, rated load and 25°C of ambient temperature. 2. Ripple & noise are measured at 20MHz of bandwidth by using a 12" twisted pair-wire terminated with a 0.1uf & 47uf parallel capacitor. 3. Tolerance : includes set up tolerance, line regulation and load regulation. 4. The power supply is considered a component which will be installed into a final equipment. The final equipment must be re-confirmed that it still meets EMC directives. For guidance on how to perform these EMC tests, please refer to "EMI testing of component power supplies." (as available on http://www.meanwell.com) | | | | | |

155W Single Output with Battery Charger(UPS Function) ADV-24

Case No. 906B Unit:mm



Terminal Pin No. Assignment

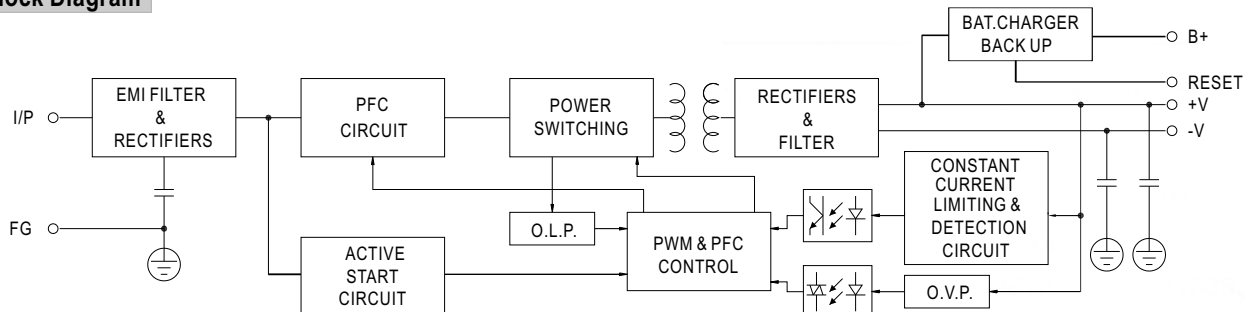
| Pin No. | Assignment | Pin No. | Assignment |
|---------|------------|---------|---------------|
| 1 | AC/L | 5 | BAT. + |
| 2 | AC/N | 6 | BAT. -/COM |
| 3 | FG | 7 | DC OUTPUT COM |
| 4 | NC | 8 | DC OUTPUT +V |

CN1 Pin No. Assignment : JST B2B-XH or equivalent

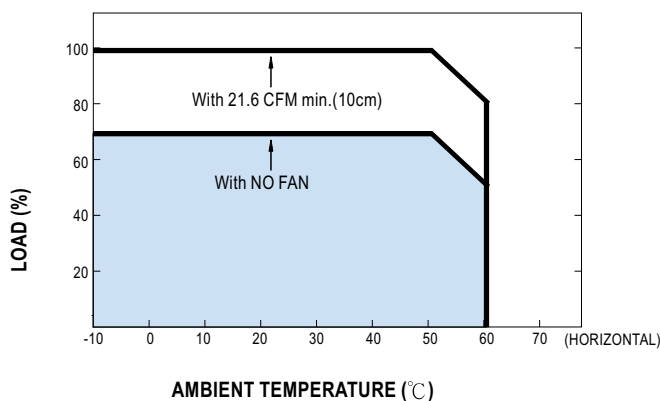
| Pin No. | Assignment | Mating Housing | Terminal |
|---------|------------|----------------|-------------------|
| 1 | RESET SW | JST XHP | JST SXH-001T-P0.6 |
| 2 | | or equivalent | or equivalent |

PFC fosc : 67KHz
PWM fosc : 134KHz

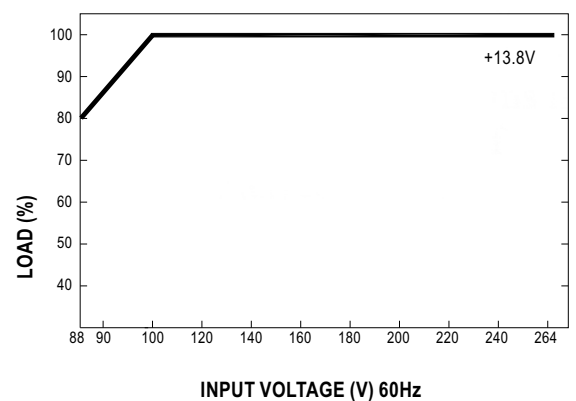
Block Diagram



Derating Curve



Output Derating VS Input Voltage (A)



Guldeste Sok. No:24 Yakacik
Kartal / Istanbul / Turkey

Tel: +90 (0)216 5982800 Fax: +90 (0)216 5982899
Email: info@adevafire.com www.adevafire.com

Copyright © 2009 ADEVA. All rights reserved.

All technical data is correct at time of publication and is subject to change without notice. All trademarks acknowledged. Installation information: in order to ensure full functionality, refer to the installation instructions as supplied.