

100 Volt Line To Line Input Attenuator Board FCVL100V1

Overview

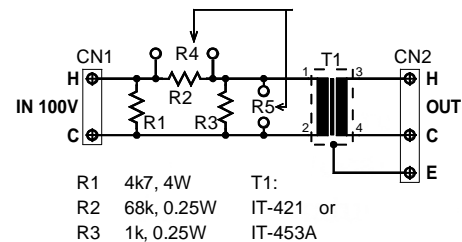
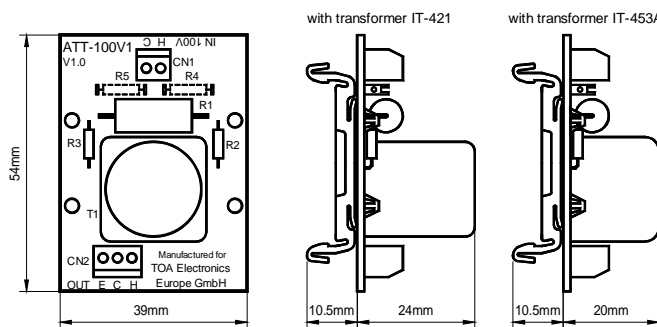
The attenuator board ATT-100V1 is designed to transform a 100 volt signal from a power amplifier's speaker output to line level. The line level output is isolated from the 100 volt input and can be connected to line level inputs of power amplifiers and other devices. The board can be mounted on DIN rails by using the attached DIN rail brackets.

The attenuator board is designed for an attenuation ratio of 100 : 1.26, then the output signal is 2 dB above 0 dBV, i.e. 1.26 volt. This gives a headroom to adjust the gain of the connected device (e.g. power amplifier). It is possible to modify the attenuation ratio by adding resistors. The input impedance is set so that the SV-200M(A) module can detect an impedance within its detection range.



Specifications

Input impedance 4.3 kohm (equal 2.3 watt @ 100V)
 Min. output load 10 kohm (e.g. 10x VP-series power amp)
 frequency response 50 Hz ... 20 kHz (0/-3 dB, typ.), 100 Hz ... 14 kHz (0/-3 dB, min.)



By soldering in resistors at the clamps for additional resistors it is possible to change the attenuation. The table below shows some resistor values for different attenuation:

no.	R4 *	R5	output voltage	output level	suitable for
1	-	-	1.25 V	+4 dBu / +2 dBV	VP-1000 series
2	330 k	-	1.6 V	+6 dBu / +4dBV	professional sound equipment
3	120 k	-	2.0 V	+8 dBu / +6 dBV	
4	-	1.5 k	780 mV	0 dBu / -2 dBV	
5	-	330	325 mV	-10 dBV	
6	-	100	120 mV	-18 dBV	A-series

* : the resistance of R4 must not be below 100 kohm

ADEVA LTD. Fire Alarm Systems

Guldeste Sok. No:24 Yakacik
Kartal / Istanbul / Turkey

Tel: +90 (0)216 5982800 Fax: +90 (0)216 5982899
Email: info@adevafire.com www.adevafire.com

Copyright © 2009 ADEVA. All rights reserved.

All technical data is correct at time of publication and is subject to change without notice. All trademarks acknowledged. Installation information: in order to ensure full functionality, refer to the installation instructions as supplied.